

Pre and Post-Washer (friction separator)

- For pre and post-washing grinding stocks, flakes and films, and for the mechanical separation of large volumes of water

Throughput ratings

Various installation sizes and throughput ratings, depending on the product

- Hardware from 250 to 3000 kg/h
- Sheet goods from 100 to 1500 kg/h

Version

Depending on plant requirements

Horizontal installation

Diagonal installation

Pre and post-cleaning

Adding large volumes of water has a significant impact on cleaning.

Various screen aperture sizes are possible for this purpose.

Screen type

Available in round, half-round design with polygonal upper section, or entirely polygonal version.

Screen replacement

Possible without removing the rotor.

Rotor

With replaceable rotor blades made of wear-resistant material

NEWS

Version

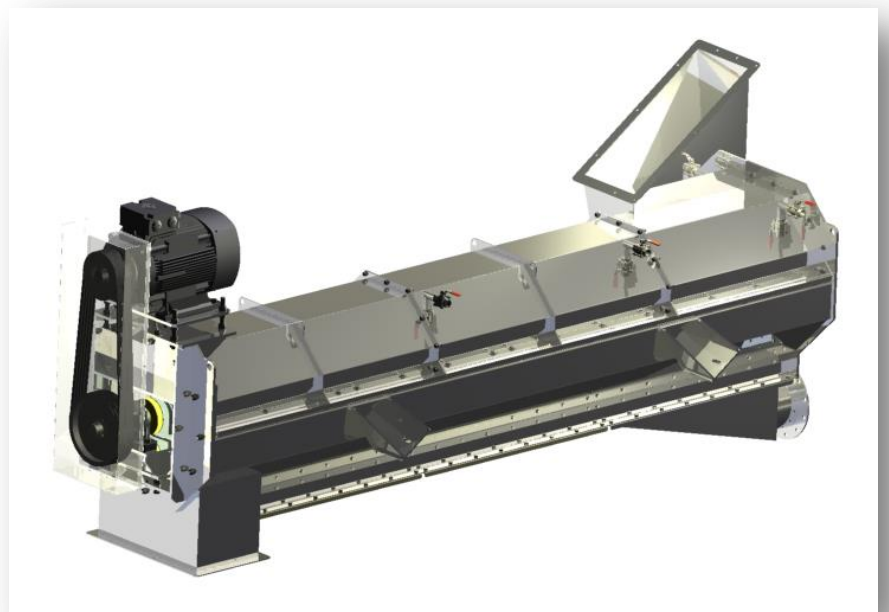
Diagonal
installation



APRO

Version

Horizontal
installation



APRO

Apparate- und Rohrbau GmbH · Maysweg 16 · 47918 Tönisvorst

Tel.: +49 (2151) 7060460 # Fax: +49 (2151) 700152

E-Mail: info@apro-edelstahl.de # www.apro-edelstahl.de